

# Level and Temperature Gauge HL-76/ HL-127

---

## Features and Handling

• HL-76, HL-127 is a level and temperature gauge for mounting on side of oil tank, fuel reservoirs, central lubrication unit, and etc. It is made of Aluminum casting, oil-resistant rubber gaskets, and plastic circular gauges for large sight area.



---

## Ordering Code

HL - 76  
1      2

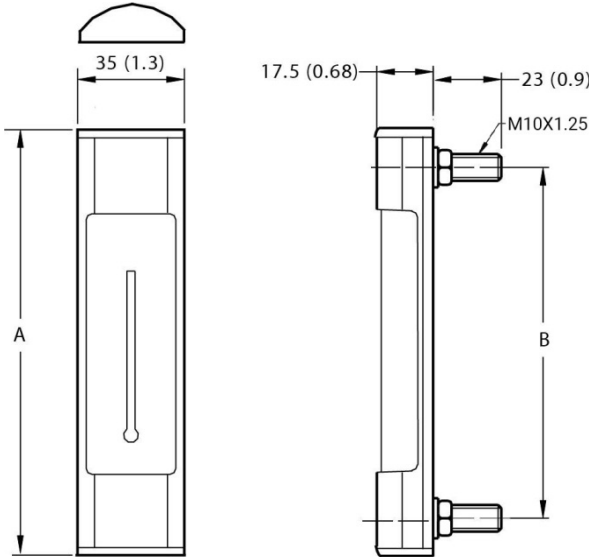
1. Model : HL

2. Mounting (mm)

76      - Small size  
127     - Large size

# Level and Temperature Gauge HL-76/ HL-127

**Installation Dimension mm (inch)**



Model	A	B
HL-76	103 (4.05)	76 (3.0)
HL-127	154 (6.06)	127 (5.0)

Remark: M12 x 1.5 available upon request only. With additional cost.