

MB系列整体式多路阀

MB Series Sectional Directional Control Valves



MB2

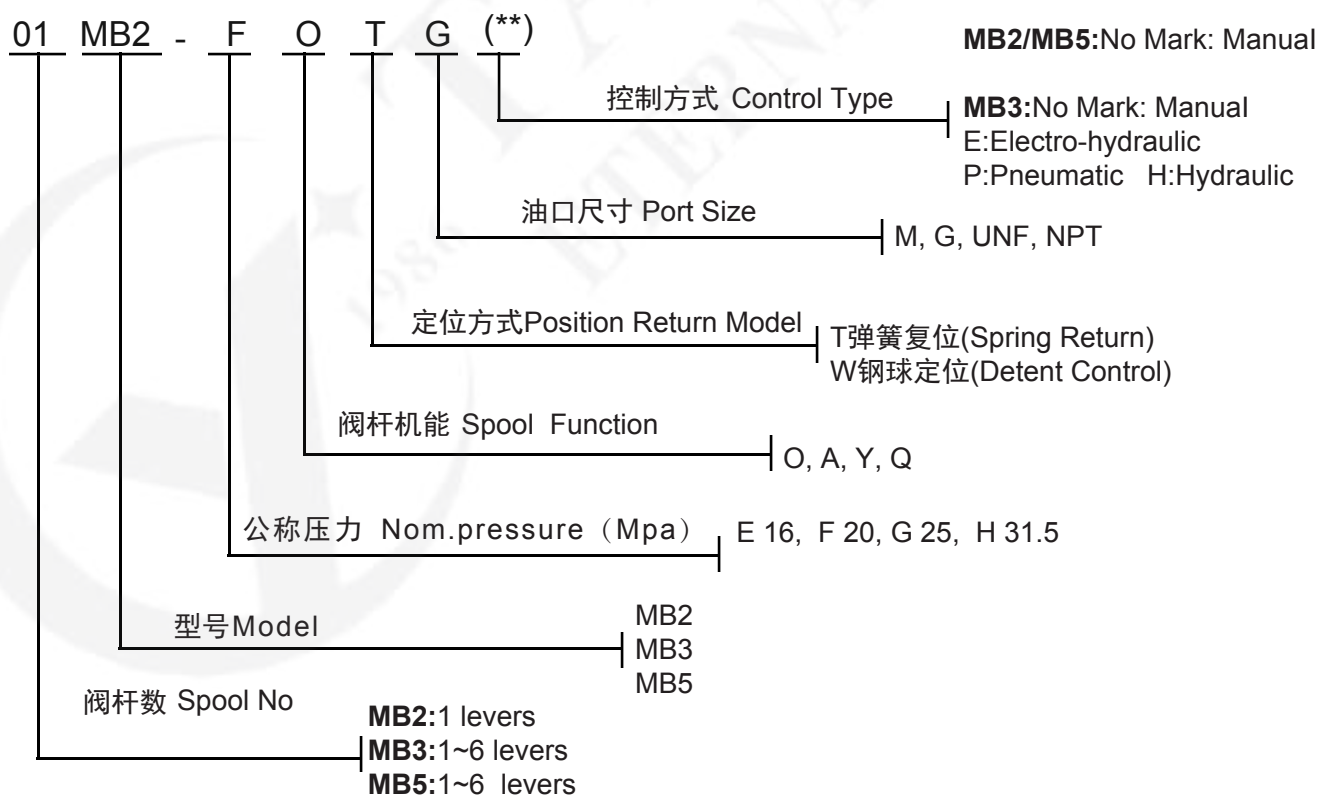


MB3



MB5

型号说明/MODEL CODE



技术参数/PARAMETERS

MB2 Specifications

| Nominal flow rate | | 45 l/min | 12 US gpm |
|------------------------------|------------------------|----------------------------------|----------------------|
| Operating pressure (maximum) | | 250 bar | 3600 psi |
| Back pressure (maximum) | on outlet port T | 25 bar | 360 psi |
| Fluid temperature range | with NBR(BUNA-N) seals | from - 20° to 80°C | from - 4° to 176° F |
| | with FPM(VITON) seal | from - 20° to 100°C | from - 4° to 212° F |
| Viscosity | operating range | from 15 to 75 mm ² /s | from 15 to 75 cst |
| | min | 12 mm ² /s | 12 cst |
| | max. | 400 mm ² /s | 400 cst |
| Ambient temperature range | | from - 40° to 60°C | from - 40° to 140° F |

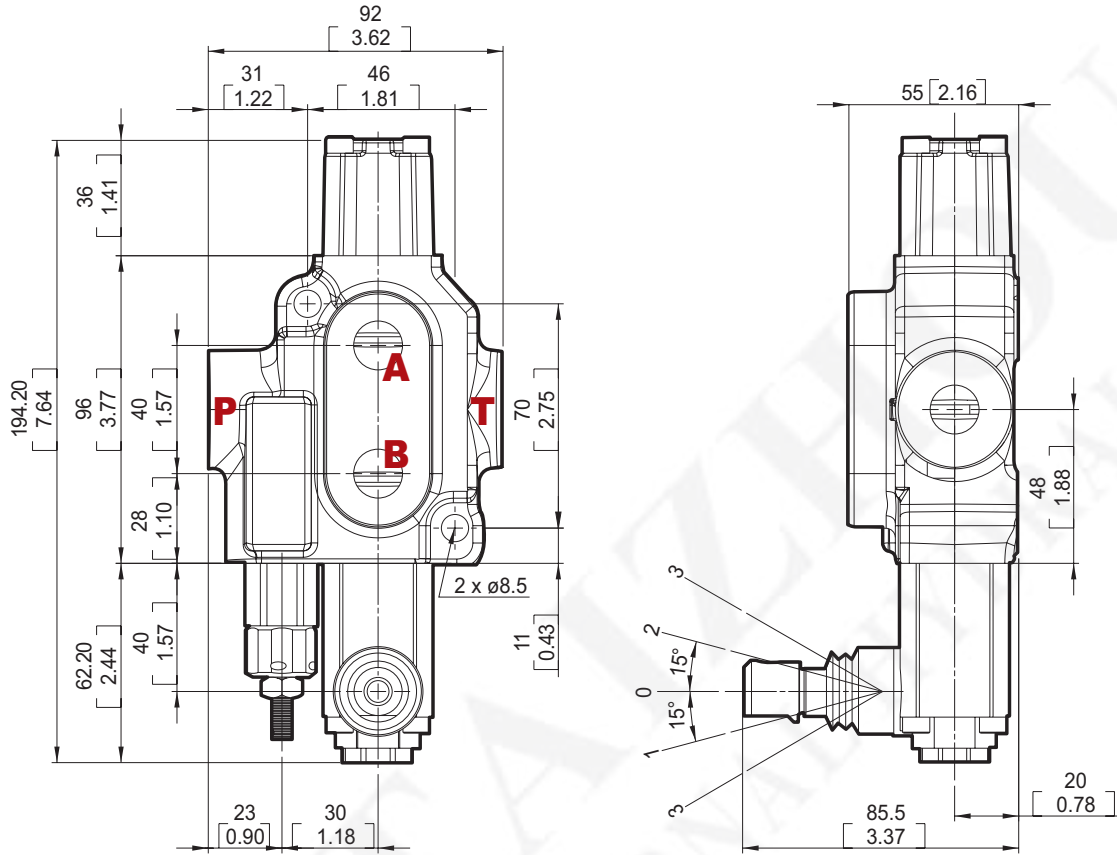
MB-3 Specifications

| Nominal flow rate | | 45 l/min | 12 US gpm |
|------------------------------|------------------------|----------------------------------|----------------------|
| Operating pressure (maximum) | | 315 bar | 4600 psi |
| Back pressure (maximum) | on outlet port T | 25 bar | 360 psi |
| Fluid temperature range | with NBR(BUNA-N) seals | from - 20° to 80°C | from - 4° to 176° F |
| | with FPM(VITON) seal | from - 20° to 100°C | from - 4° to 212° F |
| Viscosity | operating range | from 15 to 75 mm ² /s | from 15 to 75 cst |
| | min | 12 mm ² /s | 12 cst |
| | max. | 400 mm ² /s | 400 cst |
| Ambient temperature range | | from - 40° to 60°C | from - 40° to 140° F |

MB-5 Specifications

| Nominal flow rate | | 80 l/min | 21 US gpm |
|------------------------------|-------------------------|----------------------------------|----------------------|
| Operating pressure (maximum) | | 315 bar | 4600 psi |
| Back pressure (maximum) | on outlet port T | 25 bar | 360 psi |
| Fluid temperature range | with NBR (BUNA-N) seals | from - 20° to 80°C | from - 4° to 176° F |
| | with FPM (VITON) seal | from - 20° to 100°C | from - 4° to 212° F |
| Viscosity | operating range | from 15 to 75 mm ² /s | from 15 to 75 cst |
| | min | 12 mm ² /s | 12 cst |
| | max. | 400 mm ² /s | 400 cst |
| Ambient temperature range | | from - 40° to 60°C | from - 40° to 140° F |

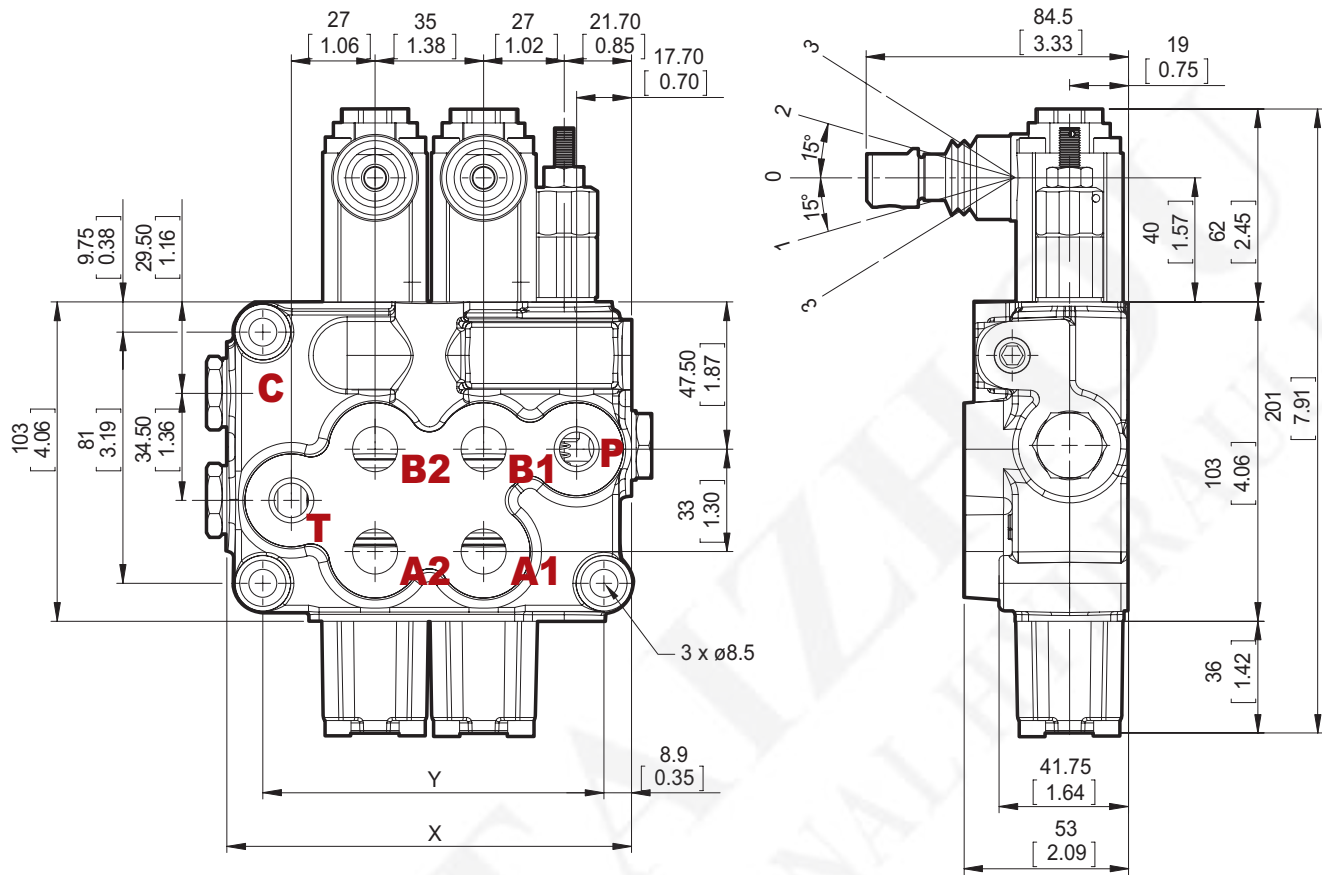
MB2 外形安装连接尺寸/ MB2 DIMENSIONAL DATA



Standard threads

| Ports | Inlet P | A and B | Outlet T |
|--------|-----------------------|-----------------------|-----------------------|
| BSP | G3/8 | G3/8 | G3/8 |
| UN-UNF | 3/4-16 UNF-2B (SAE 8) | 3/4-16 UNF-2B (SAE 8) | 3/4-16 UNF-2B (SAE 8) |
| METRIC | M18x1.5 | M18x1.5 | M18x1.5 |

MB3 外形安装连接尺寸/ MB3 DIMENSIONAL DATA



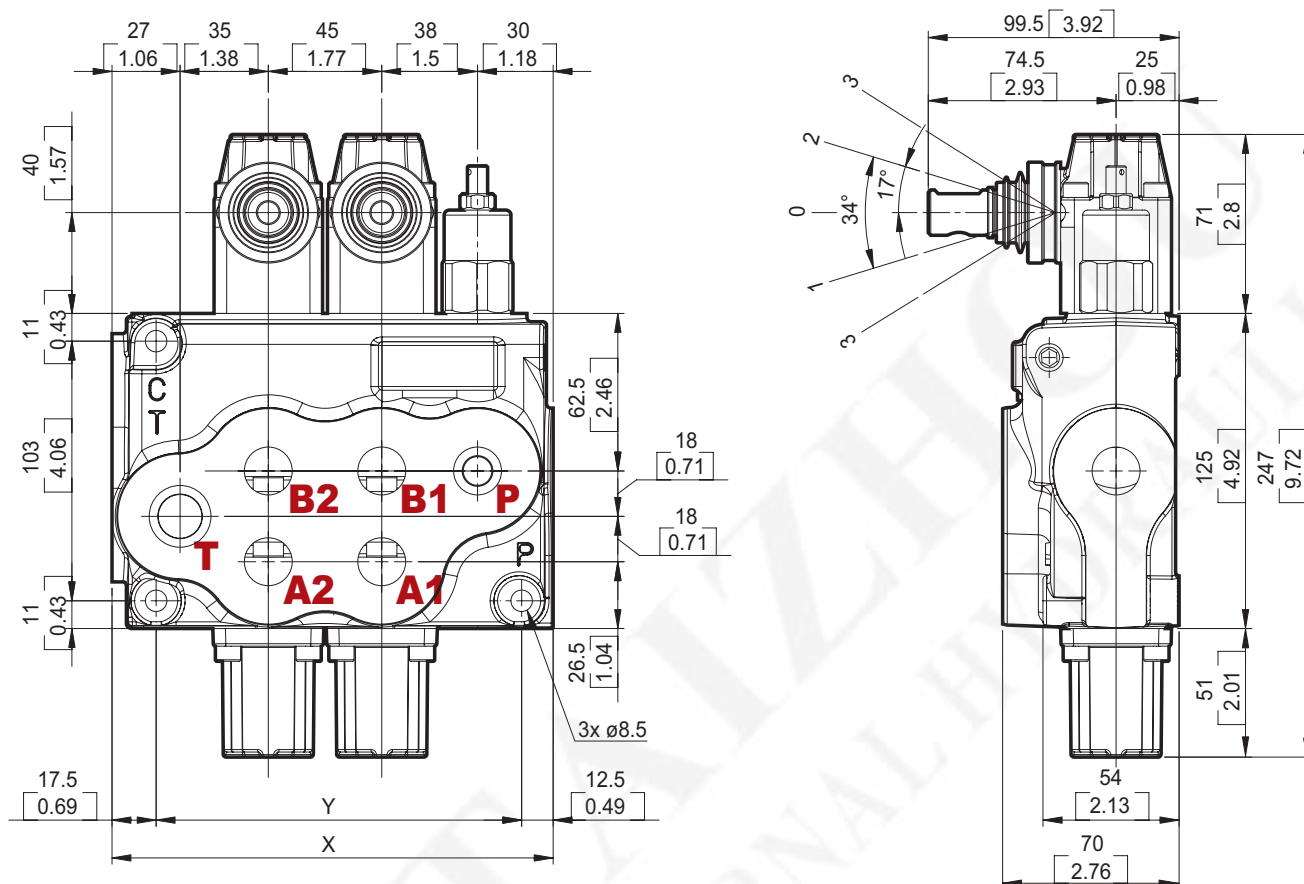
Standard threads

| Ports | Inlet P | A and B | Outlet T and C |
|--------|-----------------------|-----------------------|-----------------------|
| BSP | G3/8 | G3/8 | G3/8 |
| UN-UNF | 3/4-16 UNF-2B (SAE 8) | 3/4-16 UNF-2B (SAE 8) | 3/4-16 UNF-2B (SAE 8) |
| METRIC | M18x1.5 | M18x1.5 | M18x1.5 |

Standard dimensions

| TYPE | X | | Y | |
|-------------|-------|-------|-----|-------|
| | mm | in | mm | in |
| MB3 /1Spool | 93.5 | 3.68 | 73 | 2.87 |
| MB3 /2Spool | 130.5 | 5.14 | 110 | 4.33 |
| MB3 /3Spool | 165.5 | 6.52 | 147 | 5.79 |
| MB3 /4Spool | 202.5 | 7.97 | 184 | 7.24 |
| MB3 /5Spool | 239.5 | 9.43 | 221 | 8.7 |
| MB3 /6Spool | 276.5 | 10.89 | 258 | 10.16 |
| MB3 /7Spool | 313.5 | 12.34 | 295 | 11.61 |

MB5 外形安装连接尺寸/ MB5 DIMENSIONAL DATA



Standard threads

| Ports | Inlet P | A and B | Outlet T and carry-over C |
|--------|------------------------|---------------------|---------------------------|
| BSP | G1/2 | G1/2 | G3/4 |
| UN-UNF | 1" 1/16-12 UN (SAE 12) | 7/8-14 UNF (SAE 10) | 1" 1/16-12 UN (SAE 12) |
| METRIC | M18x1.5 | M18x1.5 | M22x1.5 |

• G-3/8 : G3 G
• SAE 8: E8 SAE 1

SAE 20: E20

Standard dimensions

| TYPE | X | | Y | |
|---------|-------|-------|-----|-------|
| | mm | in | mm | in |
| MB5 /1S | 130 | 5.12 | 100 | 3.94 |
| MB5 /2S | 174.5 | 6.87 | 145 | 5.71 |
| MB5 /3S | 219.5 | 8.64 | 190 | 7.48 |
| MB5 /4S | 264.5 | 10.41 | 235 | 9.25 |
| MB5 /5S | 309.5 | 12.19 | 280 | 11.02 |
| MB5 /6S | 354.5 | 13.96 | 325 | 12.80 |