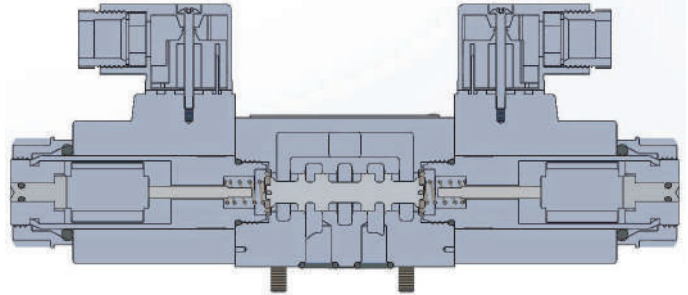


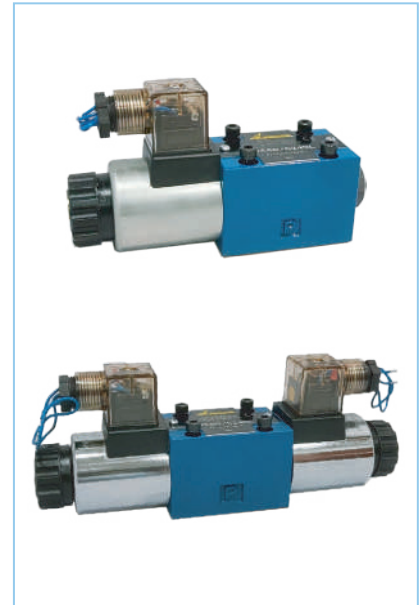
4WE 系列電磁換向閥

4WE Solenoid Operated Directional Valves

- 最高使用壓力: 35 Mpa (5076 PSI)
- 最高T孔背壓: AC 16 Mpa (2320PSI)、DC 21 Mpa (3050 PSI)
- 線圈可90度安裝以配合不同工作環境
- 閥體表面烤漆處理、耐用抗腐蝕
- 高品質製造, CE 認證產品



- Max. Operating Pressure: 35 Mpa (5076 PSI)
- Max. T Line Back Pressure: AC: 16 Mpa (2320 PSI), DC: 21 Mpa (3050 PSI)
- Environment Temperature Range: -20 ~ 50°C
- Hydraulic Oil Temperature Range: -20 ~ 80°C
- Viscosity Range: 2.8 ~ 500 mm²/s (35 ~ 2320 SUS)
- Max Admissible Degree of Contamination of Hydraulic Fluid: Class 20/18/15
- High pressure and high flow rating provide low pressure drop performance.
- Port specification matches ISO 4401-03-02-0-05 standard.
- Coil can be rotated 90 degrees to match different working space.
- Two connecting types: DIN Plug-in (IP65), Deutsch Connector (IP67).
- Paint treatment on the valve body provides high corrosion resistance.
- CE certified to assure the high quality.



規格

Specifications

型號 Model Numbers	最大流量 Max. Flow (L/min)	最大壓力 Max. Operating Pressure (Mpa)	最大背壓 Max. T-Line Back Pressure (Mpa)	最高切換頻率 Max. Frequency (Cycles/Min)	重量Weight (Kg)	
					單頭 Single	雙頭 Double
4WE6*/**	AC: 60 DC: 80	35	AC: 16 DC: 21	AC: 2 DC: 4.2	1.45	1.95
4WE10*/**	160		21			

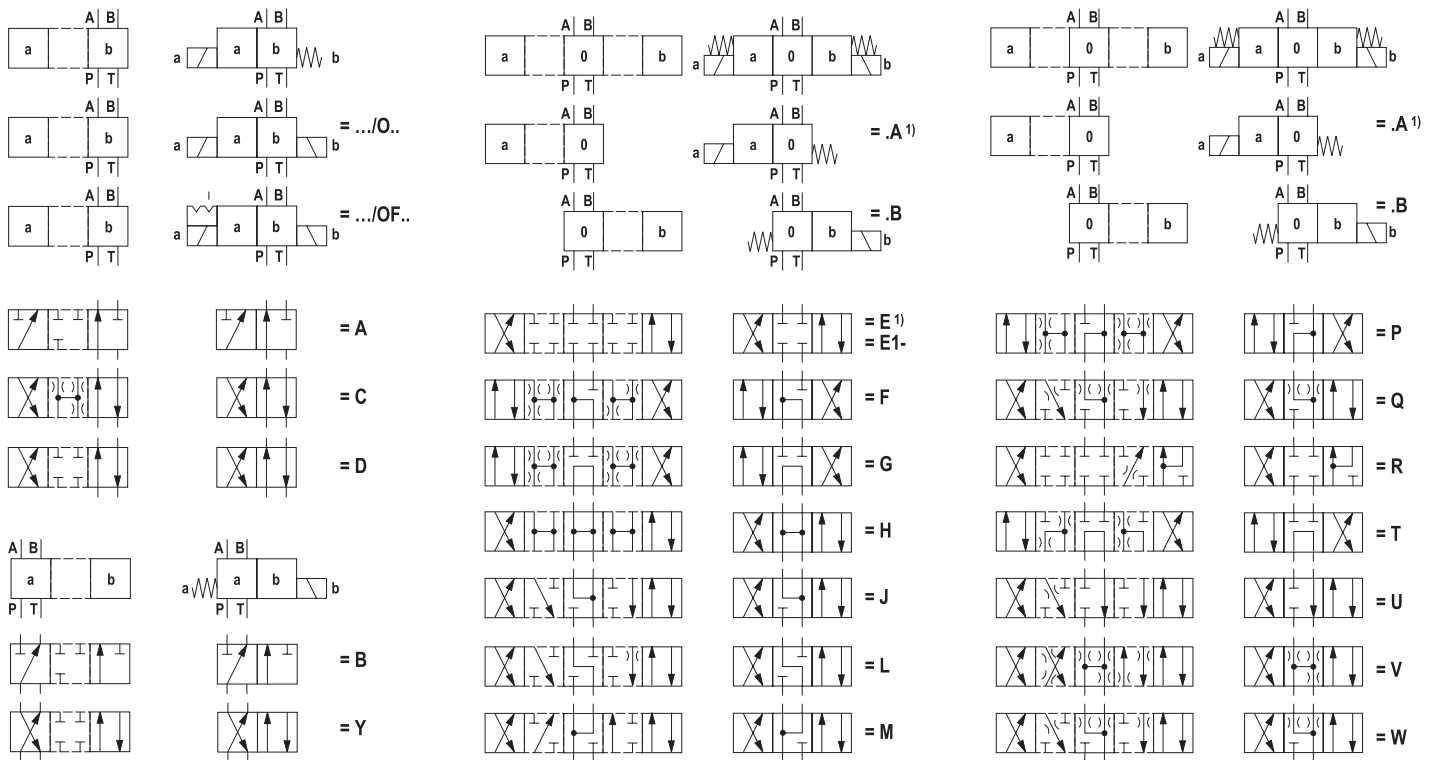
型號說明

How to order

4WE	6	E	/ G12	NL
系列號 Series No.	規格 Valve Size	閥芯代號 Spool Code	線圈類型 Coil Type	電氣接線形式 Electrical Conduit Connection
4WE: 電磁換向閥 Solenoid Operated Directional Valve	6: (NG6) 10: (NG10)	★2	G12: DC12V G24: DC24V W110-50: AC110V/50HZ W220-50: AC220V/50HZ W110: RF110V (AC→DC) W220: RF220V (AC→DC) *Rectifier Inside	NL: 插頭式帶指示燈 DIN Plug In with Indicator U: 德馳插頭式 Deustch Connector

閥芯代號

★2 Spool Code

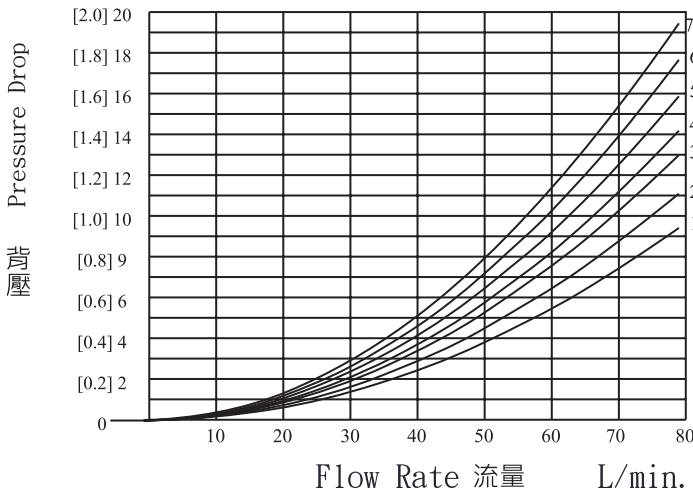


性能曲線圖

Characteristic Curves

(measured with HLP46, $\theta_{oil} = 40 \pm 5 \text{ }^\circ\text{C}$ [104 \pm 9 $^\circ\text{F}$]) Δp - q_v characteristic curves

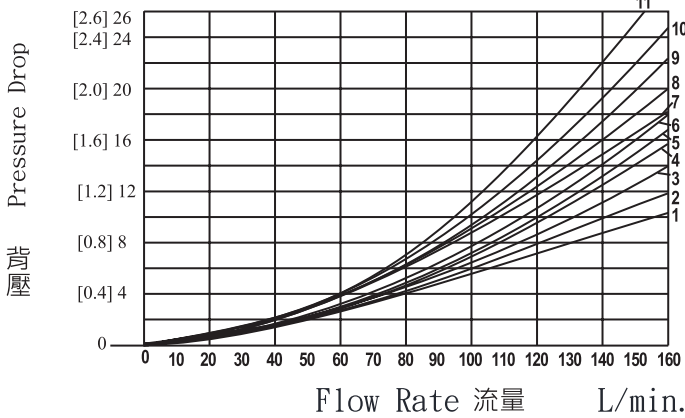
[Mpa] kgf/cm²



六通徑: 4W6

Symbol	Directional of Flow			
	P → A	P → B	A → T	B → T
A	5	5	-	-
C	3	3	5	3
D, Y	6	6	5	5
E	5	5	3	3
F	3	5	3	3
H	2	1	2	2
J, Q	3	3	2	3
L	5	5	1	4
M	2	1	5	5
U	5	5	4	1
G	7	7	4	4

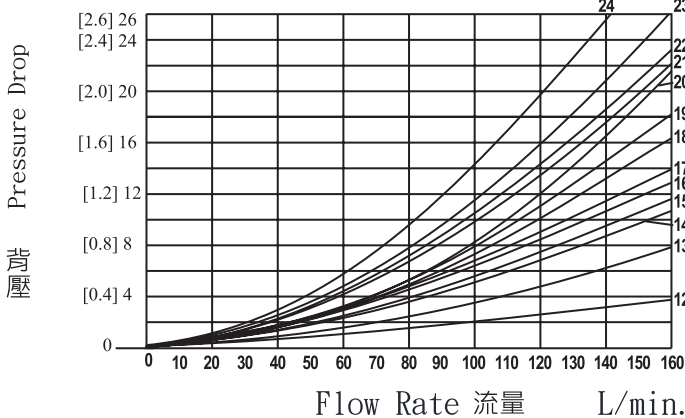
[Mpa] kgf/cm²



十通徑: 4W10

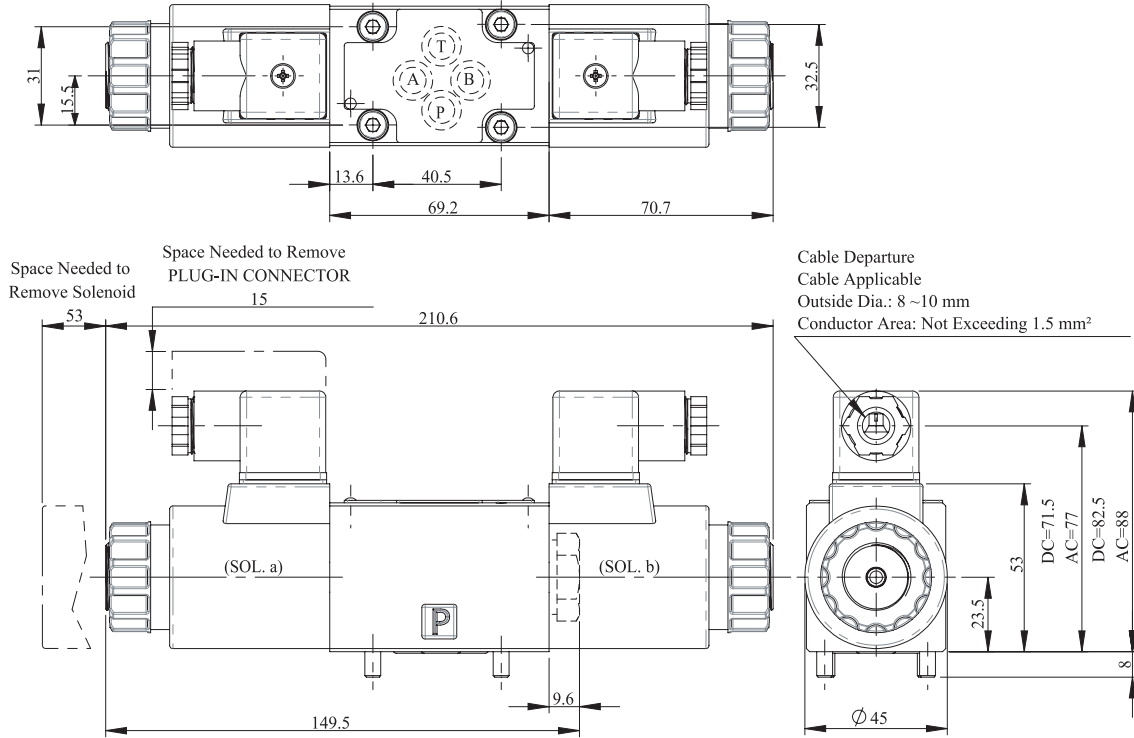
Symbol	Directional of Flow			
	P → A	P → B	A → T	B → T
A	6	6	-	-
C	1	2	5	7
D	2	2	5	7
E	17	16	19	21
F	2	3	22	23
G	4	4	24	24
H	14	14	20	21
J	3	3	9	11
Q	16	17	4	8
L	3	3	9	9
M	14	14	6	8
U	3	3	6	11
Y	17	16	18	21

[Mpa] kgf/cm²



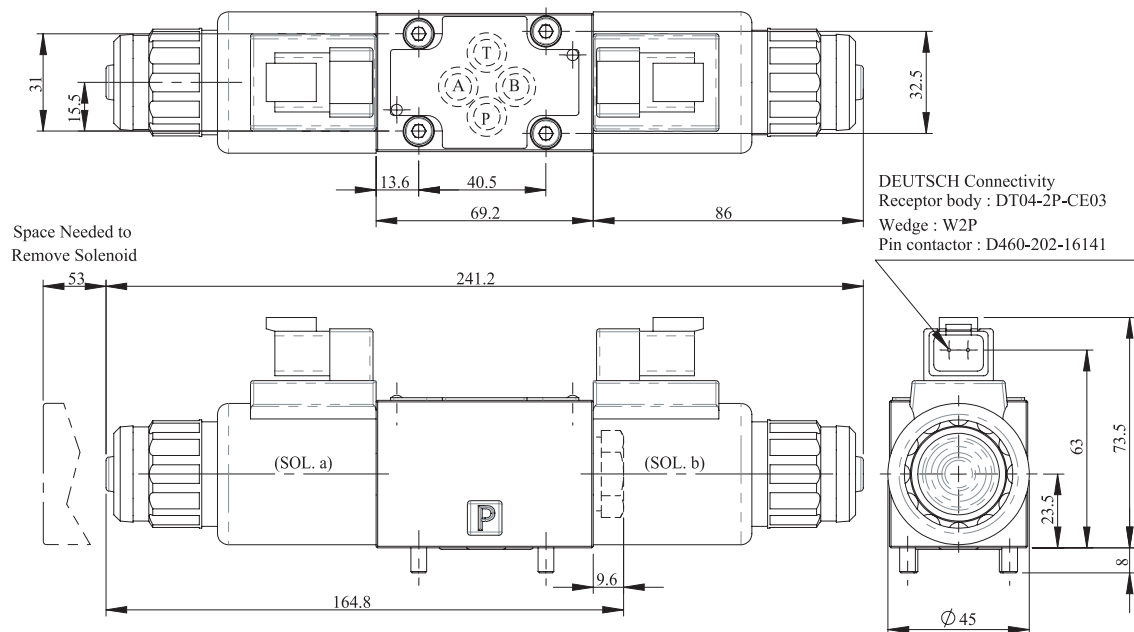
插頭型

4WE6 DIN Plug In Type



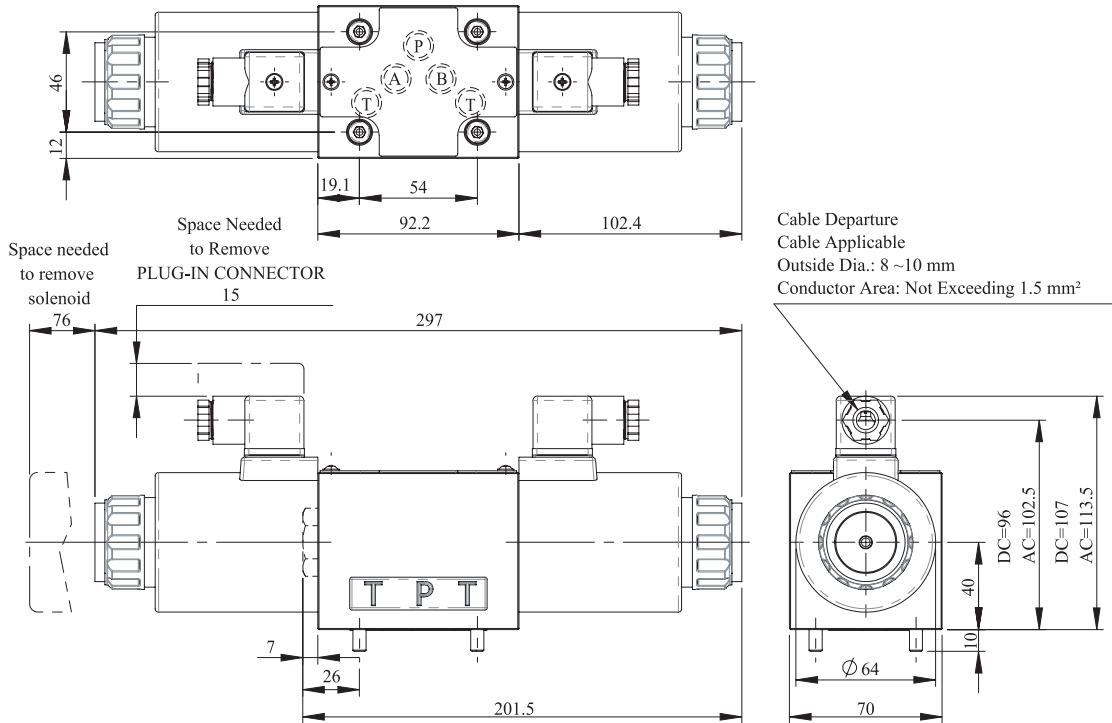
德馳型

4WE6 Deutsch Type



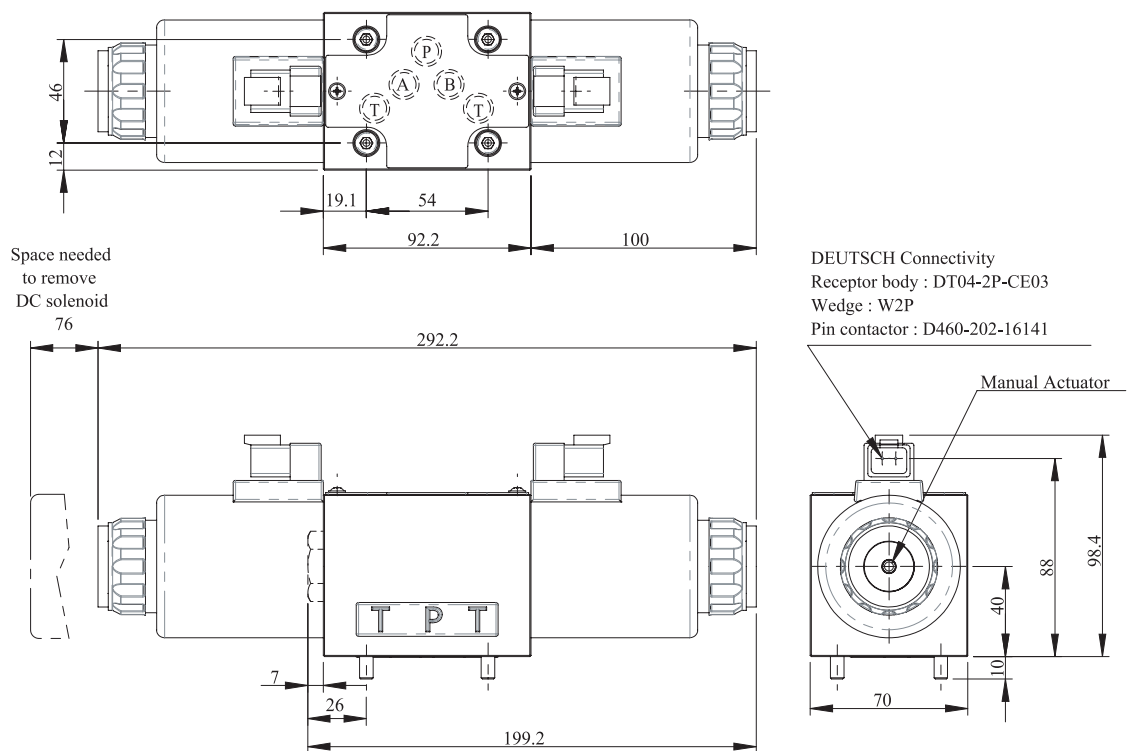
插頭型

4WE10 DIN Plug In Type



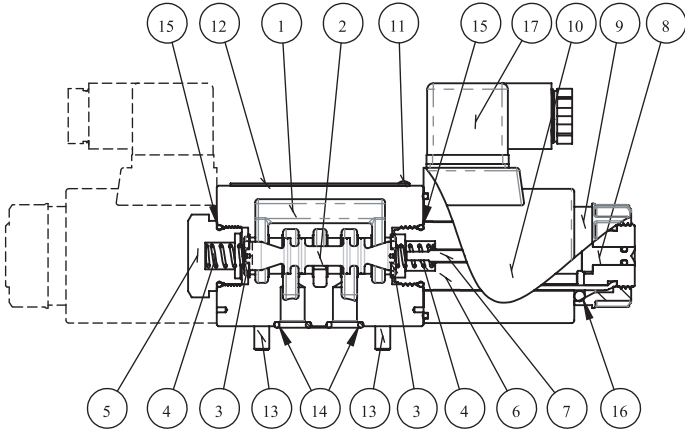
德馳型

4WE10 Deutsch Type



零件及油封配件表

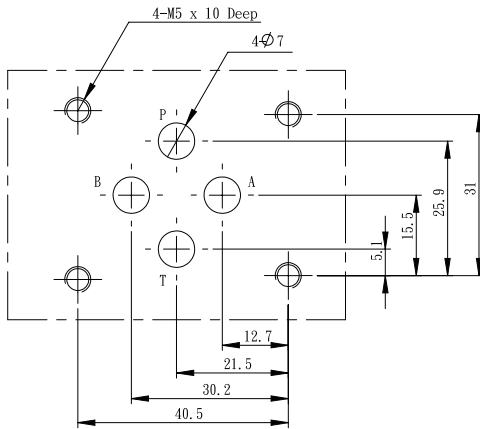
List of Parts & Seals



Item	Name of Part (O-Rings)	
	4WE6	4WE10
14	P9(NBR90°)	AS014(NBR90°)
15	AS017(NBR70°)	AS118(NBR70°)
16	AS213(NBR70°)	G30(NBR70°)
17	DIN Plugs	

4WE6 安裝面標準

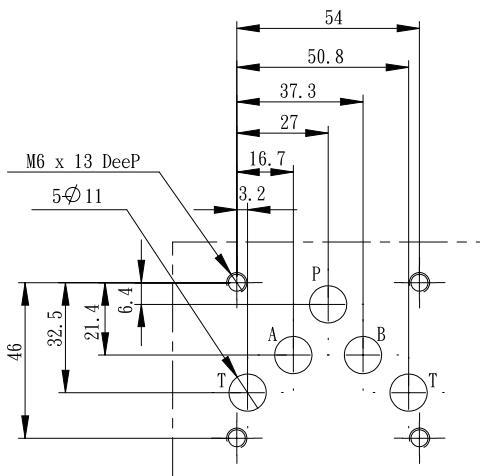
Mounting surface: ISO 4401-AB-03-4-A-80



Mounting Bolt: M5×50Lg.

4WE10 安裝面標準

Mounting surface: ISO 4401-AC-05-4-A-80



Mounting Bolt: M6×40Lg.