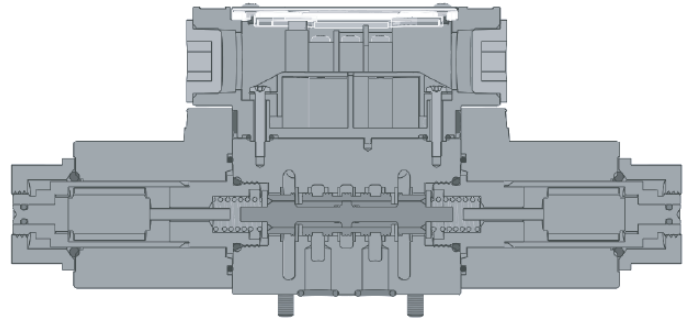


DSG-01-★ 高壓大流量系列電磁換向閥

DSG-01-★ High Pressure Big Flow Series

- 採用強力濕式線圈和五腔式本體設計，嶄新的流道設計。實現高壓力、大流量、低壓損等特性。
- 最高使用壓力: 31.5→ 35 Mpa, 提高10%
- T孔容許背壓: 16→ 21 Mpa, 提高30%
- 最大流量: 63→ 100 L/min, 提高60%
- 低壓損: 一般情況壓損減少10%, 達到節能效果
- 除了標準型外, 另有緩衝型, 可將切換聲音及配管震動減至最低
- 線圈高推力及強彈簧力, 對汙染物影響較少
- 防護等級IP65的防塵防水, 德馳線圈提供到防護等級IP67
- 多種接線方式, 接線盒、DIN插頭、出線型、德馳插頭
- 保留磷化本體以外, 另有提供鍍鎳本體以利戶外使用。



- Uses Wet armature solenoid and 5 cabin provides low noise, leakage free and longer life. high pressure, high flow and low pressure drop.
- Max. Operating Pressure: 31.5→35 Mpa
- Max. T-Line Back Pressure: 16→21 Mpa
- Max. Flow Rate: 63→100 L/min
- Low Pressure Drop: The pressure drop of these valves is reduced 10 %, energy-saving effect is more significant.
- In addition to the standard valves for high pressure and high flow, a shockless type capable of minimizing noise and vibration in piping during spool changeover is also available.
- Due to the powerful magnetic and spring force of the solenoids, these valves exhibit a high tolerance to contaminants.
- IP65-equivalent high dust and water-proof characteristics. Deutsch Type can provide IP67- equivalent.
- Various connecting types: Terminal Box, DIN Plug-in and Deutsch Connector type.
- Providing phosphated valve body (standard) and nickel-plated valve body for outdoor use.



規格

Specifications

系列 Series	型號 Model Numbers	最大流量 Max. Flow (L/min)	最大壓力 Max. Operating Pressure (Mpa)	最大背壓 Max. T-Line Back Pressure (Mpa)	最高切換頻率 Max. Frequency (Cycles/Min)	重量 Weight (Kg)
標準型 Standard Type	DSG-01-3C * - * -70/7090	100	35	21	240 (R Type Sol. Only 120)	1.85
	DSG-01-2D2- * -70/7090					1.4
	DSG-01-2B * - * -70/7090					1.4
緩衝型 Shockless Type	S-DSG-01-3C * - * -70/7090	63	25		120	1.85
	S-DSG-01-2B2- * -70/7090					1.4

性能表

Solenoid Ratings

系列 Series	電源 Power	線圈 Coil	電壓 Voltage	頻率(HZ) Hertz	啟動電流(A) In-Rush Current	保持電流(A) Holding Current	功率(W) Power
標準型 Standard Type	AC	A100	100	50	2.42	0.51	-
			110	60	2.14	0.37	
		A110	110	50	2.35	0.44	
			120	60	2.02	0.42	
		A200	200	50	1.21	0.25	
			220	60	1.18	0.22	
		A220	220	50	1.07	0.19	
			240	60	0.89	0.15	
		A240	240	50	1.01	0.21	
		緩衝型 Shockless Type	DC	D12	12	-	
D24	24			1.23			
AC→DC (RF)	R100		100	50/60	-	0.33	29.00
	R200		200			0.16	

電磁鐵、線圈組件表

Coil and Ass'y No.

型號 Model Numbers	線圈組件號 Coil No.	電氣接線形式 Electrical Conduit Connection	備註 Remark
DSG-01 -* * *-A100-70	C-SA1-100-70	Single: 01-AC-1 Double: 01-AC-2	接線盒型 Terminal Box
DSG-01 -* * *-A110-70	C-SA1-110-70		
DSG-01 -* * *-A200-70	C-SA1-200-70		
DSG-01 -* * *-A220-70	C-SA1-220-70		
DSG-01 -* * *-A240-70	C-SA1-240-70		
DSG-01 -* * *-D12-70	C-SD1-12-70	Single: 01-DC-1 Double: 01-DC-2	DIN插頭型 Plug-in Connector with lamp
DSG-01 -* * *-D24-70	C-SD1-24-70		
DSG-01 -* * *-R110-70	C-SR1-110-70	Single: 01-RF-1 Double: 01-RF-2	
DSG-01 -* * *-R220-70	C-SR1-220-70		
DSG-01 -* * *-A100-N-70	C-SA1-100-N-70	AC PLUG	
DSG-01 -* * *-A110-N-70	C-SA1-110-N-70		
DSG-01 -* * *-A200-N-70	C-SA1-200-N-70		
DSG-01 -* * *-A220-N-70	C-SA1-220-N-70		
DSG-01 -* * *-A240-N-70	C-SA1-240-N-70		
DSG-01 -* * *-D12-N-70	C-SD1-12-N-70	DC PLUG	
DSG-01 -* * *-D24-N-70	C-SD1-24-N-70		
DSG-01 -* * *-R110-N-70	C-SR1-110-N-70	RF PLUG	
DSG-01 -* * *-R220-N-70	C-SR1-220-N-70		

型號說明

How to order

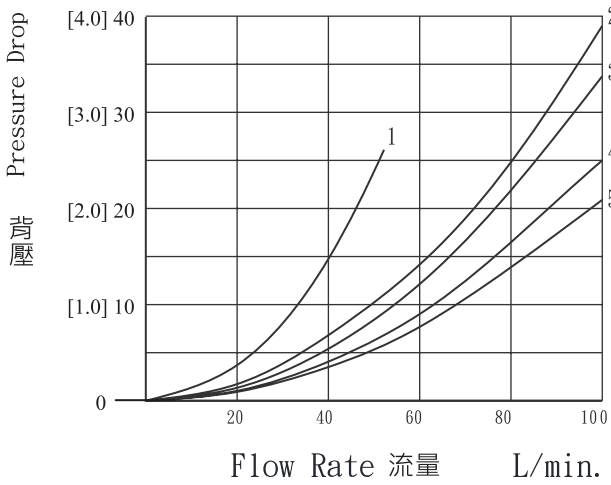
S-	DSG	-01	-2	B	2	-D24	-N	-NP	-70	90
系列號 Shockless Type		規格 Valve Size	閥位數 Number of Valve Positions	閥芯彈簧 Spool- Spring Arrangement	閥芯代號 Spool Code	線圈類型 Coil Type	電氣接線 Electrical Conduit Connection	閥體 Body	設計號 Design Number	設計標準 Design Standard
無記號Omit: 標準型 Standard Type	DSG:電磁換 向閥 Solenoid Operated Directional Valve	01	3: Three Positions	C: 彈簧中位 Spring Centred	★1	交流 AC: A100 A110 A200 A220 A240	無標記 Omit: 接線盒式 Terminal Box Type N: DIN 插頭 型 Plug-in Connector Type	無標記 Omit: 標準型 Standard -NP:鍍鎳 Nickel Plated	70	OMIT: JIS 90: ANSI
			2: Two Positions	D: 無彈簧定位 No-Spring Detented		直流 DC: D12, D24				
S: 緩衝型 Shockless Type			3: Three Positions	C: 彈簧中位 Spring Centred		直流 DC: D12, D24				
			2: Two Positions	B: 彈簧復位 Spring Offset Spring Centred		交流 R: (直流整流) (AC→DC) R110, R220				

★1: 閥芯形式之詳情請參考附件: 閥芯代號。
For more detail, please see reference ★1 : Spool Code.

性能曲線圖

Characteristic Curves

[Mpa] kgf/cm²

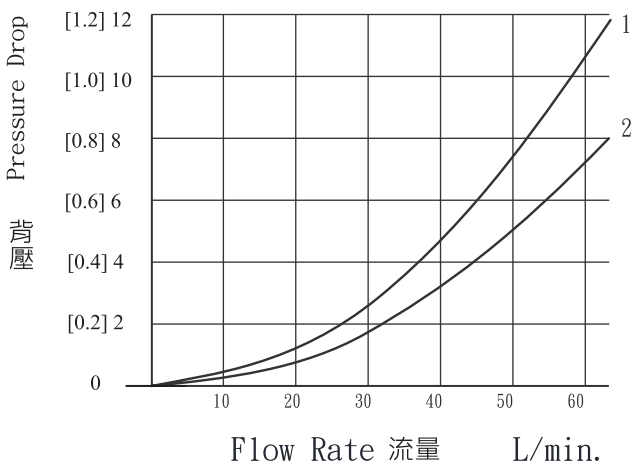


標準型

Standard Type: DSG-01-70

型號 Model Numbers	曲線代號 Pressure Drop Curve Number				
	P to A	B to T	P to B	A to T	P to T
DSG-01-3C2	4	4	4	4	-
DSG-01-3C3	5	5	5	5	2
DSG-01-3C4	4	4	4	4	-
DSG-01-3C40	4	4	4	4	-
DSG-01-3C60	1	1	1	1	2
DSG-01-3C9	5	3	5	3	-
DSG-01-3C10	4	5	4	4	-
DSG-01-3C11	4	4	4	4	-
DSG-01-3C12	4	4	4	5	-
DSG-01-2D2	5	4	5	4	-
DSG-01-2B2	5	4	5	4	-
DSG-01-2B3	5	5	5	5	-
DSG-01-2B8	5	-	4	-	-

[Mpa] kgf/cm²



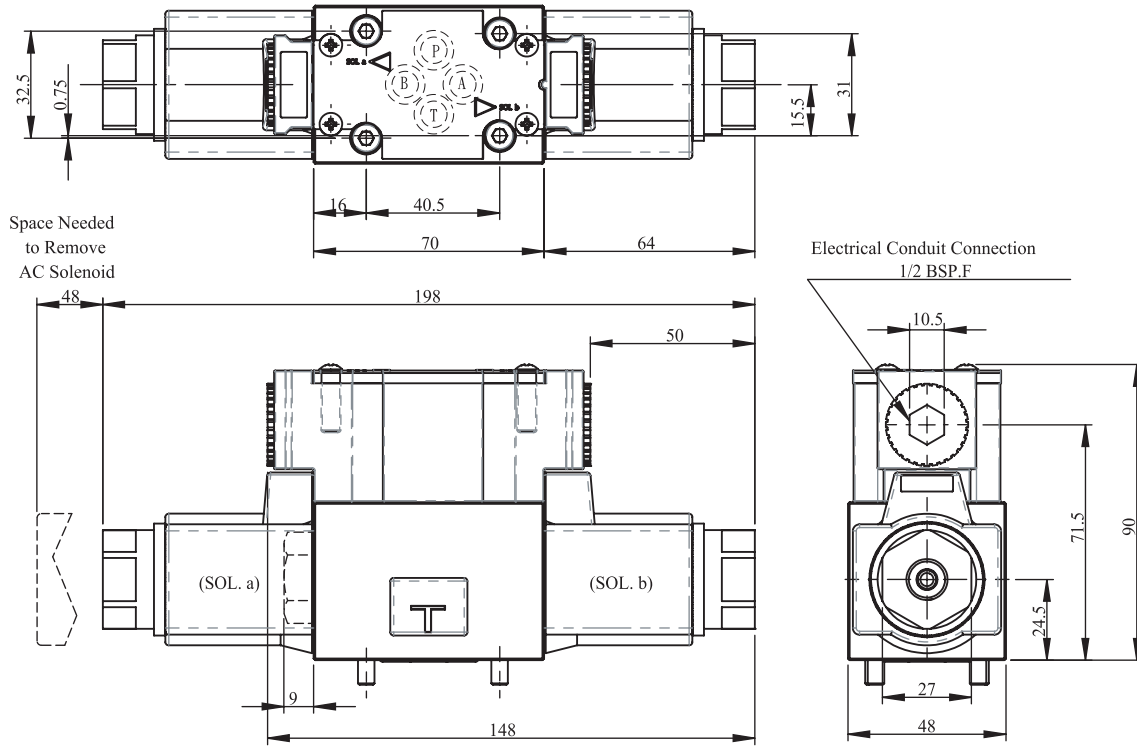
緩衝型

Shockless Type: S-DSG-01-70

型號 Model Numbers	曲線代號 Pressure Drop Curve Number			
	P to A	B to T	P to B	A to T
S-DSG-01-3C2	1	1	1	1
S-DSG-01-3C4	1	2	1	2
S-DSG-01-2B2	1	1	1	1

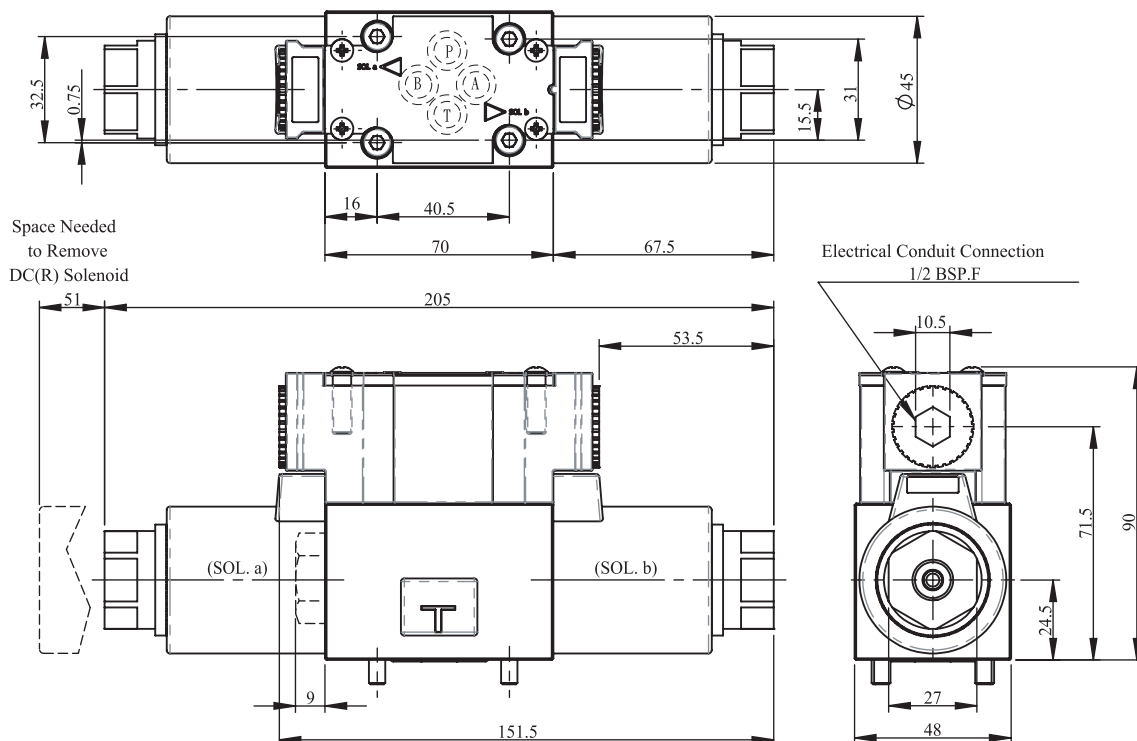
接線盒型-交流

Terminal Box Type- AC



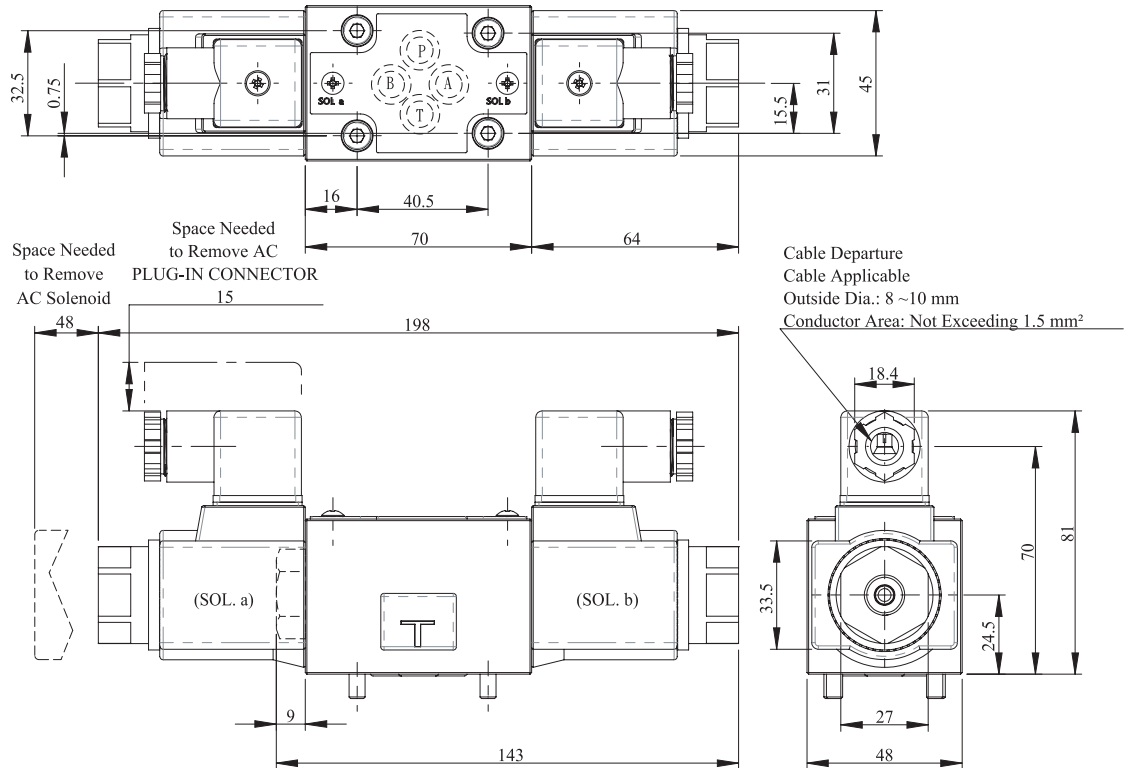
接線盒型-直流

Terminal Box Type- DC



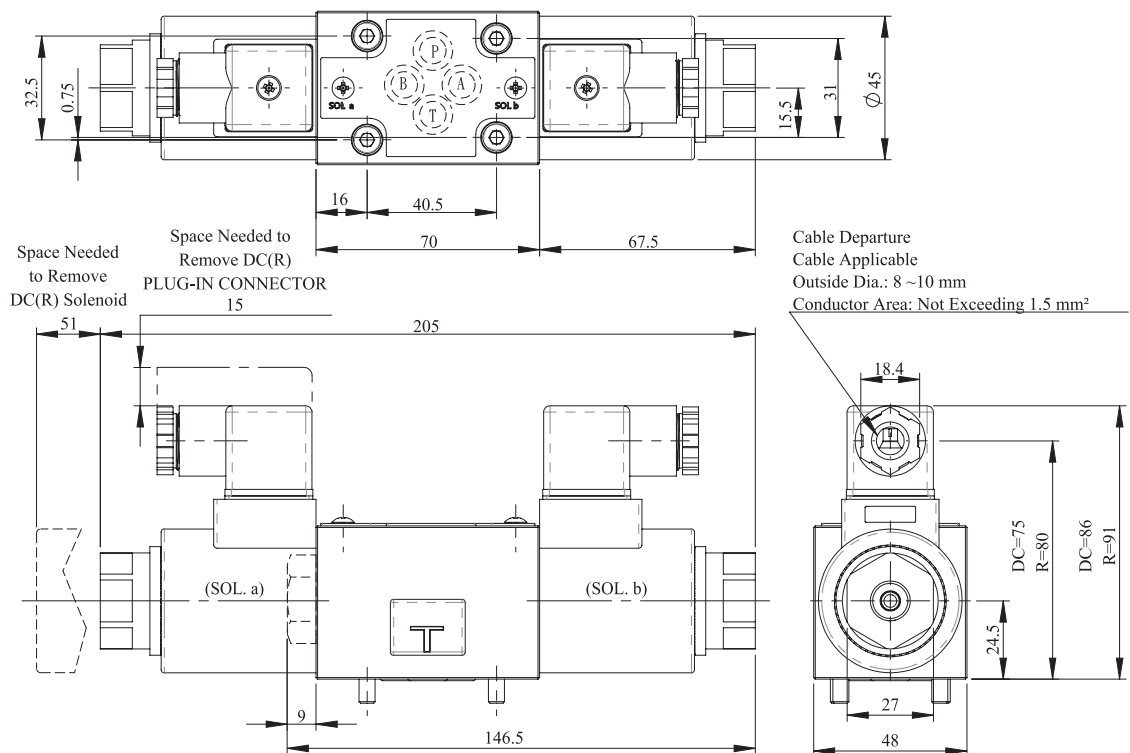
DIN插頭型-交流

Plug-in Connector Type- AC



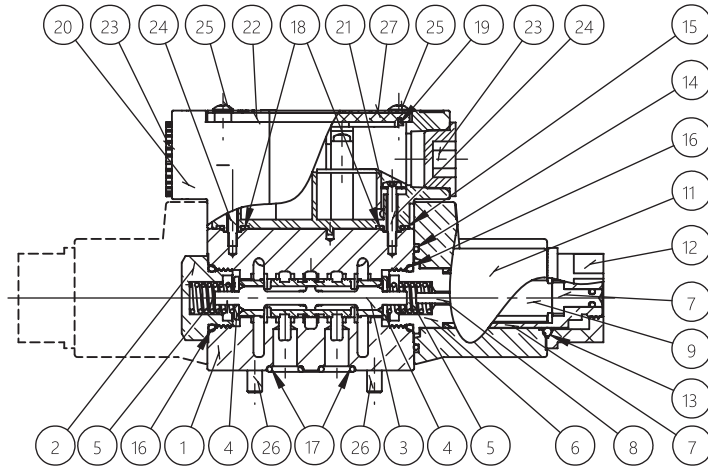
DIN插頭型-直流

Plug-in Connector Type- DC



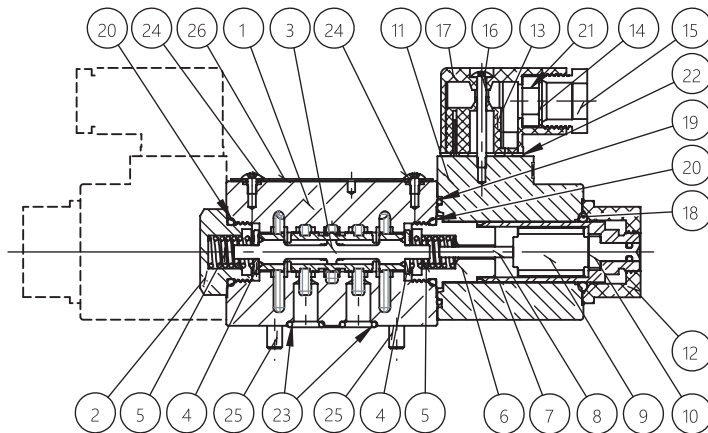
零件表

List of Seal



接線盒型
Terminal Box Type

Item	Name of Part
13	O-Ring 20*3(NBR70°)
14	O-Ring AS026(NBR70°)
15	O-Ring P4(NBR70°)
16	O-Ring P18(NBR70°)
17	O-Ring P9(NBR90°)
18	O-Ring S6(NBR70°)
19	Sealing Gasket

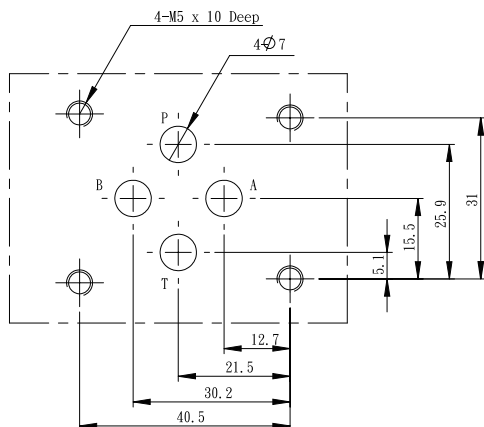


DIN插頭型
Plug-in Connector

Item	Name of Part
14	O-Ring P9(NBR90°)
15	O-Ring P18(NBR70°)
16	O-Ring 20*3(NBR70°)
17	DIN Plug

安裝面標準

Mounting surface: ISO 4401-AB-03-4-A



規格 Descriptions	安裝螺絲號 Soc. Hd. Cap Screw (4pcs)	安裝螺釘扭緊扭矩 Tightening Torque
Japanese Standard "JIS" European Standard	M5×45 Lg.	5-7 Nm (43 - 60 in. lbs.)
N. American Standard	No. 10-24 UNC × 1-3/4 Lg.	